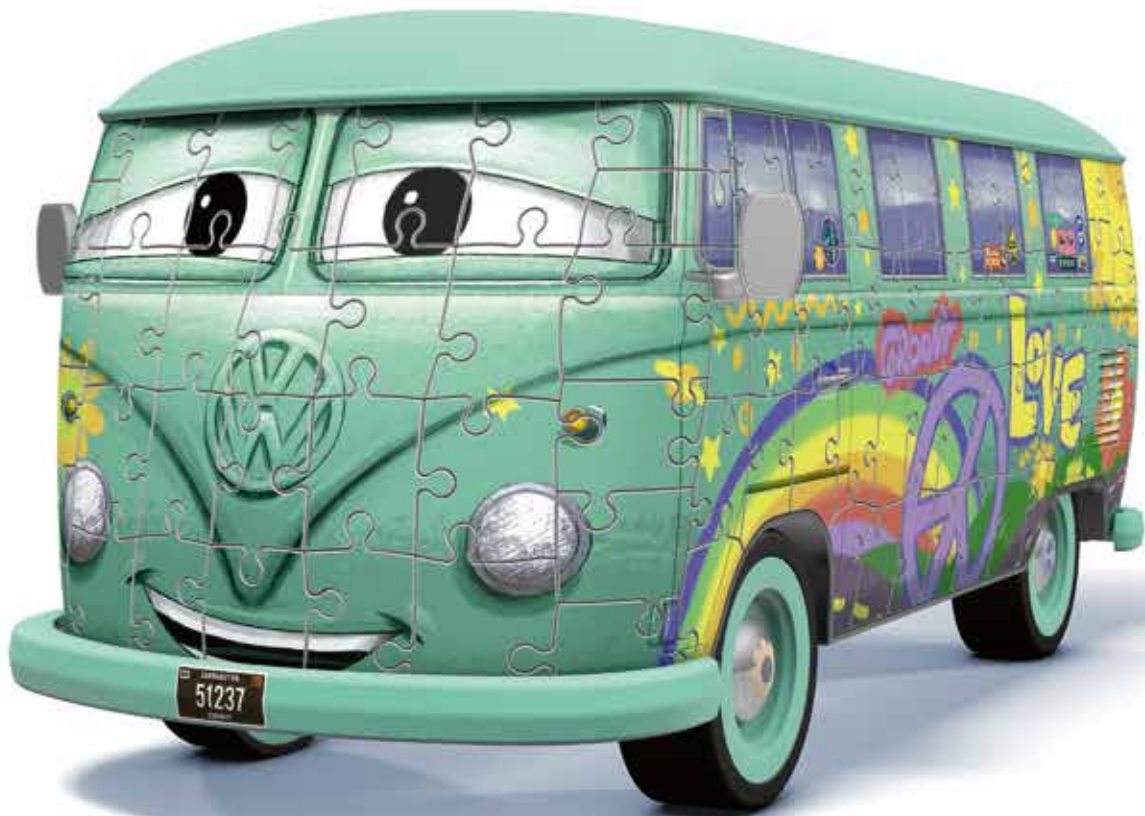
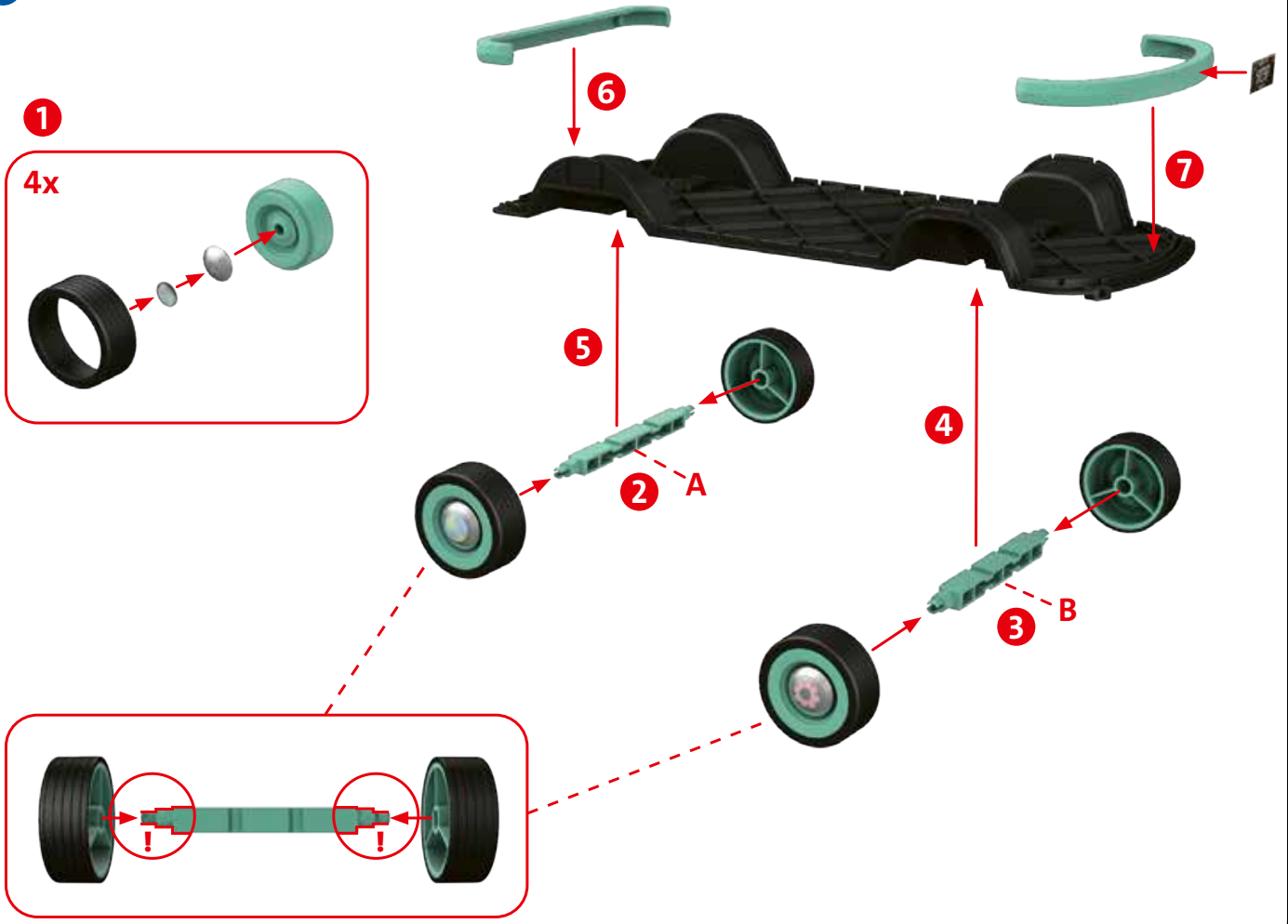


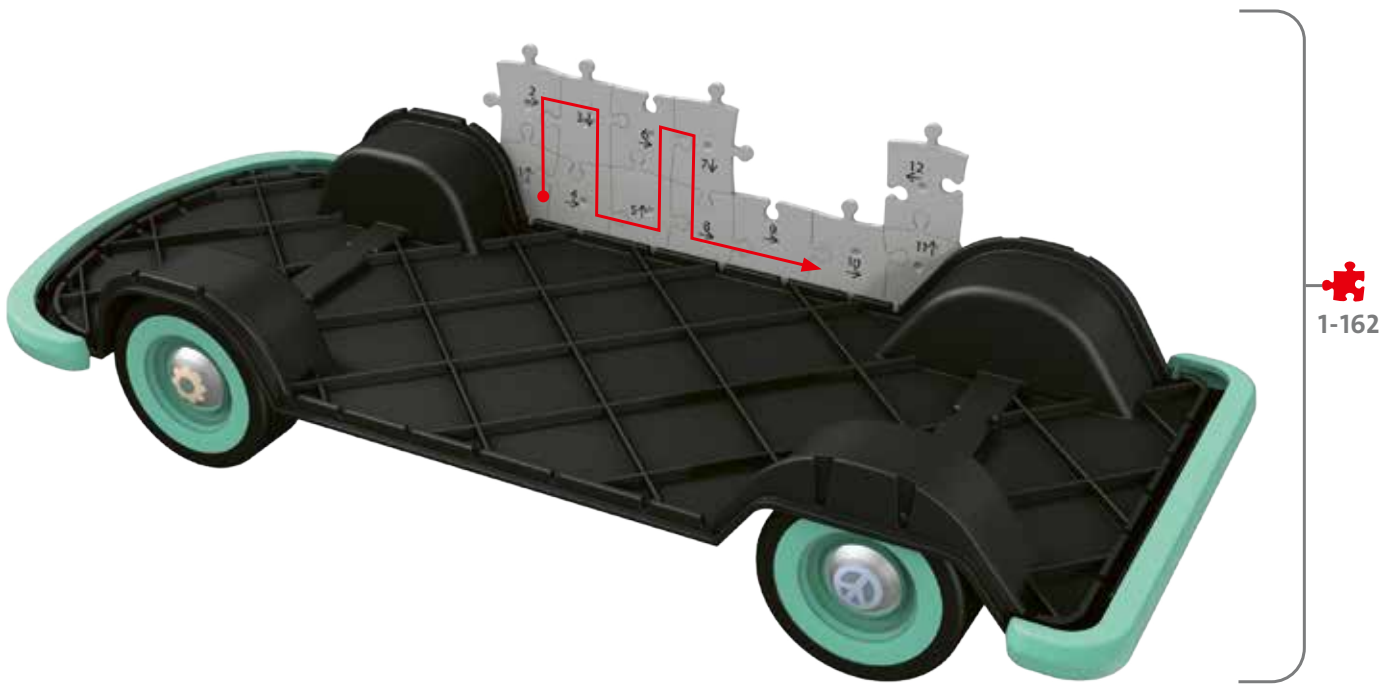
# 3D Puzzle



1



2



3

